

**M12 MALE 90° SHIELDED WIREABLE SCREW TERM.**5-pol. max.0,75mm<sup>2</sup> 4-6mm

Male 90°

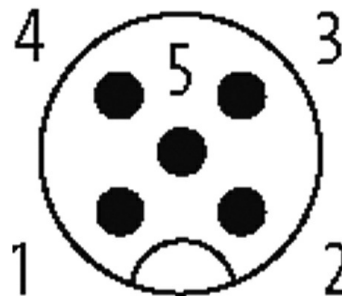
M12, 5-pole

shielded

Sealing range (cable Ø): 4...6 mm

**Illustration**

Male



Product may differ from Image

**Form**

Form 13341

**Technical Data**

Operating voltage	max. 60 V AC/DC
Operating current per contact	max. 4 A
Connection cross section	max. 0.75 mm <sup>2</sup>
Sealing range (cable Ø)	4...6 mm
Protection	IP67 inserted and tightened (EN 60529)
Housing	Brass, nickel plated

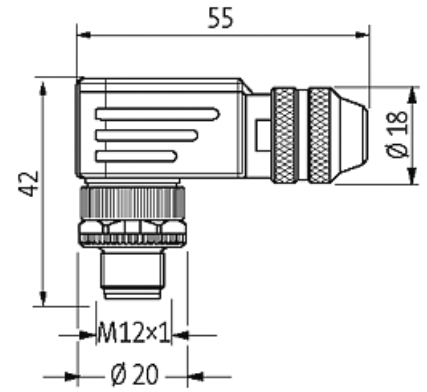
**General data**

Temperature range -40...+85 °C

**Commercial data**

country of origin DE

customs tariff number	85366990
EAN	4048879198820
eClass	27279221
Packaging unit	1

**Sketch**

Product may differ from Image